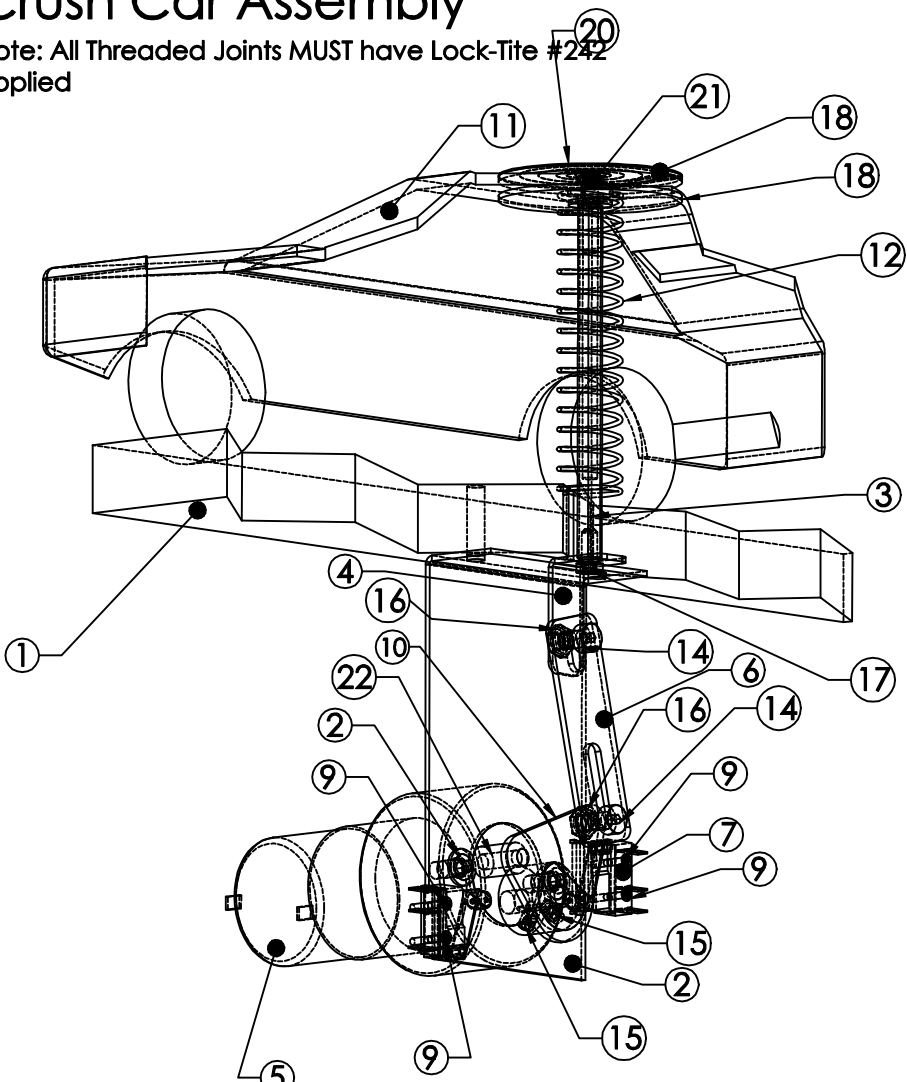


ITEM NO.	QTY.	DESCRIPTION	PART NO.
1	1	A .61 3-29DF03708	0044-042-000
3	2	guide rod	R138-302-000
4	2	motor bracket	R138-102-000
6	1	shoulder bolt .2495 1.25	0007-197-111
7	1	tension braket	R138-107-000
8	1	playfield	R138-603-000
10	1	carriage bracket	R138-101-000
20	2	switch bracket	R138-104-000
21	1	Truck	R138-801-000
26	1	Crush Car Mtr. Brk't.	R138-105-000
28	1	Crush Car Linkage 2	R138-104-000
29	1	Crush Car Linkage 1	R138-103-000
30	1	Car Cam Ass'y.	R138-011-000
35	1	Return Spring-Crushed Car	0037-165-00
36	1	Playfield w/HP Laminate	R138-603-000
38	16	2-56 machine screw X .5 long	0006-290-111
39	4	Nyliner .375 / 6L2-FF	0045-001-000
41	1	flashersocket	0056-154-000
42	1	crush car	R138-800-000
43	15	.25 #8 Hex Head Sheet Metal X .5 long	
44	4	Allen Hd. button head 10-32 X.375	
45	2	Shoulder bolt 8-32x.187 shoulder x.25 lg.	0007-195-111
46	4	Set Screw Lock Patch 8-32 X.188 long	0008-086-111
47	4	Hex Nut Thin 8-32	0010-004-111

ITEM NO.	QTY.	DESCRIPTION	PART NO.
49	2	Fender Washer 2 OD X .281 ID	0018-073-111
50	8	Flat Washer #8	
51	1	Bulls Eye Decal	R138-504-000
52	1	Flat Head 8-32 Machine Screw X .75	
54	7	#8-32 nylon lock nut	
55	8	Grommet .375 McMaster #9600K47	0040-076-000
57	2	Spacer .344 OD #8-32 ID X .5 lg.	0040-076-000
58	2	shoulder bolt .187 x .25 long	0007-195-111
59	4	#10-32 nylon lock nut	
60	1	extension spring truck	0037-164-000
61	1	Belt SDP # a-6r-3254037	0044-041-100
62	1	SDP #A .61 3-29DF037	0044-043-100
63	1	Molon Motor # c20-1230-1m	0053-254-000
64	1	Molon Motor #c20-1230-1m	0053-254-000
65	8	Cherny#99-3128 or HAPP#95-4142	0054-005-103
67	1	SYLVANIA #91-0089-00	0057-153-000
68	1	Truck Mounting Bracket	R138-109-000
69	1	Truck Cam Ass'y. Rev B	R138-012-000
70	1	Truck Mtr. Brk't. Rev. B	R138-117-000
71	1	Truck Linkage Rev. D	R138-110-000
72	1	Truck Drive ARM A	R138-111-000
73	1	Truck Drive ARM B / REV B	R138-112-000
74	1	molon motor CHM-1225-1M	0053-255-000
75	2	Nyliner 5mm type 7 #8012A	0045-026-000
76	1	Hex. Post - Crush Car	R138-301-000

Crush Car Assembly

Note: All Threaded Joints MUST have Lock-Tite #242 Applied



Crush Car Assembly

ITEM NO.	QTY.	PART NO.	DESCRIPTION
1	1	Playfield	R138-603-000
2	1	Crush Car Motor Bracket	R138-105-000
3	1	Hex. Post - Crush car	R138-301-000
4	1	Crush Car Linkage 2	R138-104-000
5	1	Molon Motor #c20-1230-1m	0053-254-000
6	1	Crush Car Linkage 1	R138-103-000
7	2	Cherry # 99-3128 or Happ#95-4142	0054-005-103
9	4	2-56 machine screw X .5 long	0006-290-111
10	1	Car Cam Ass'y.	R138-011-000
11	1	Crush Car	R138-800-000
12	1	Return Spring-Crushed Car	0037-165-000
14	2	Shoulder Bolt 8-32 x.187 x .25 lg.	0007-195-111
15	2	Set Screw Lock Patch 8-32 X.188 long	
16	2	Hex Nut Thin 8-32	0010-004-111
17	1	.25 Hex Machine Screw X .375 long	
18	2	Fender Washer 2 OD X .281 ID	0018-073-111
20	1	Bulls Eye Decal	R138-504-000
21	1	Flat Head 8-32 Machine Screw X .75	
22	1	Spacer .344 OD #8-32 ID X .5 long	0058-171-000